

OUTDOOR FEATURES

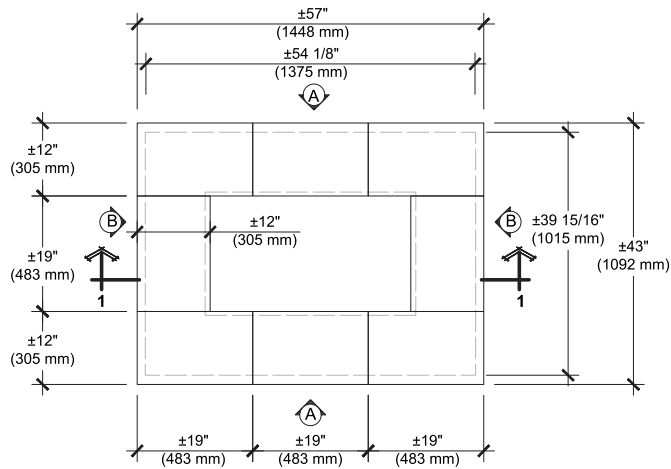


Lumi Firebowl P. 112
Lumi Planter P. 113
Sculptura Collection P. 114
Brandon Rectangle P. 117
Brandon Square P. 119

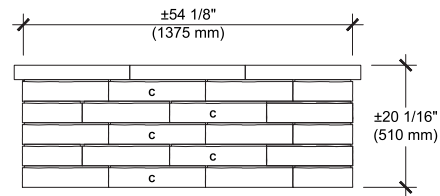
Prescott P. 121
Raffinato P. 123
Valencia P. 125
HPC Burners P. 127
Breeo Accessories P. 128

INSTALLATION GUIDE

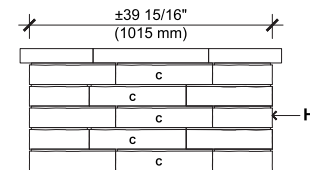
BRANDON RECTANGLE, FIRE PIT (KIT)



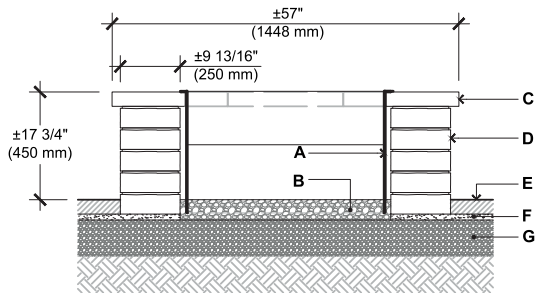
TOP



ELEVATION A



ELEVATION B



SECTION 1-1

- A. STEEL BOX INSERT
- B. CLEAN STONE $\frac{3}{4}''$ (20 mm), 4" (100 mm) THICK
- C. RAFFINATO CAP 60 mm (PRE-CUT)
- D. BRANDON 90 mm BLOCK
- E. TECHO-BLOC PAVERS OR SLABS
- F. SETTING BED 1" (25 mm)
- G. COMPACTED GRANULAR BASE 0- $\frac{3}{4}''$ (0-20 mm)
- H. BRANDON 90 mm CORNER BLOCK

QUANTITY OF MATERIALS REQUIRED

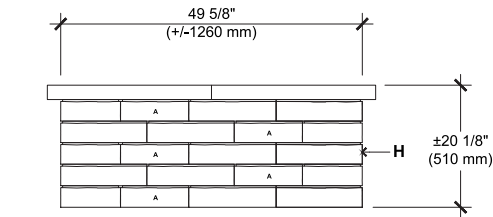
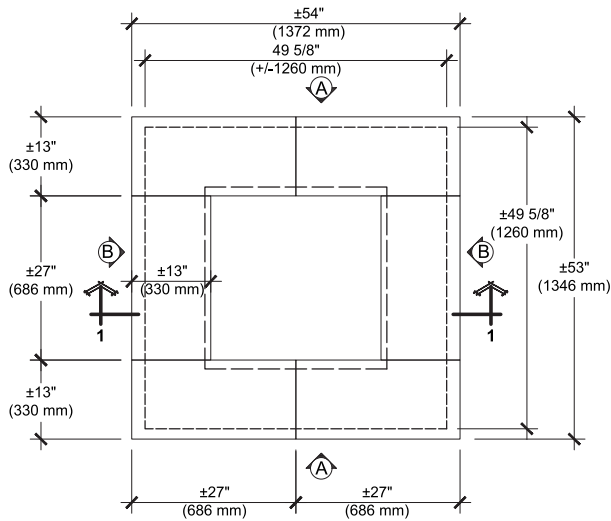
- RAFFINATO CAP 60 mm: 8
- Brandon 90 mm block **C**: 20
- Brandon 90 mm corner block: 30

NOTE: Secure the blocks using a heat resistant concrete adhesive. The installer must ensure that the installation and use of the fire pit comply with local regulations and code requirements.

Consult our Installation Guide in our website for a detail step by step installation.

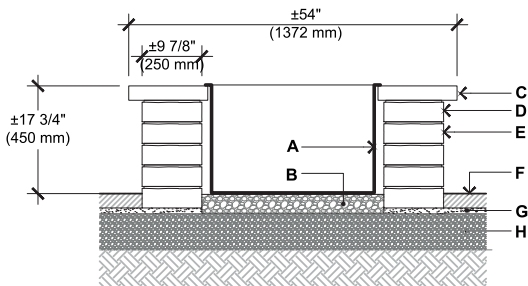
INSTALLATION GUIDE

BRANDON SQUARE, FIRE PIT (KIT)



ELEVATION A

TOP



SECTION 1-1

- A. STEEL BOX INSERT
- B. CLEAN STONE 3/4" (20 mm), 4" (100 mm) THICK
- C. RAFFINATO CAP 60 mm (PRE-CUT)
- D. BRANDON 90 mm BLOCK
- E. TECO-BLOC PAVERS OR SLABS
- F. SETTING BED 1" (25 mm)
- G. COMPACTED GRANULAR BASE 0-3/4" (0-20 mm)
- H. BRANDON 90 mm CORNER BLOCK

QUANTITY OF MATERIALS REQUIRED

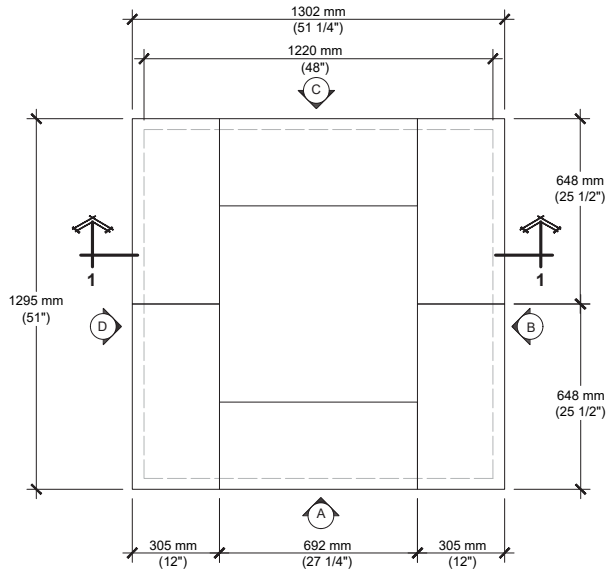
- RAFFINATO CAP 60 mm: 6
- Brandon 90 mm block: 20 **A**, 20 **B**,
- Brandon 90 mm corner block: 20

NOTE : Secure the blocks using a heat resistant concrete adhesive. The installer must ensure that the installation and use of the fire pit comply with local regulations and code requirements.

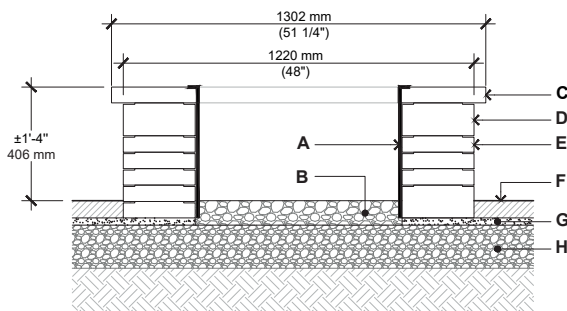
Consult our Installation Guide in our website for a detail step by step installation.

INSTALLATION GUIDE

PRESCOTT FIRE PIT (KIT)



TOP



SECTION 1-1

- A. STEEL BOX INSERT
- B. CLEAN STONE 3/4" (20 mm), 4" (100 mm) THICK
- C. PIEDIMONTE CAP (CUT)
- D. PRESCOTT 4.5" BLOCK
- E. PRESCOTT 2.25" BLOCK
- F. TECO-BLOC PAVERS OR SLABS
- G. SETTING BED 1" (25 mm)
- H. COMPACTED GRANULAR BASE 0-3/4" (0-20 mm) (SEE TABLE PAGE 64 FOR THICKNESS)
- I. PRESCOTT 4.5" CORNER BLOCK
- J. PRESCOTT 2.25" CORNER BLOCK

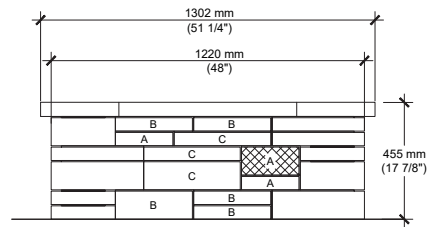
QUANTITY OF MATERIALS REQUIRED

- Piedimonte cap: **6**
- Prescott 2.25" block: **7 A, 18 B, 7 C**
- Prescott 4.5" block: **3 A, 6 B, 3 C**
- Prescott 2.25" corner block: **16**
- Prescott 4.5" corner block: **6**

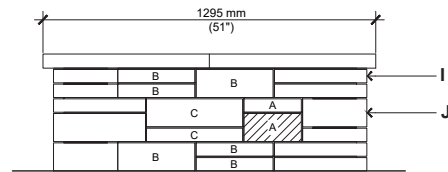
NOTE: Secure the blocks using a heat resistant concrete adhesive. The installer must ensure that the installation and use of the firepit comply with local regulations and code requirements.

 RECOMMENDED LOCATION FOR VENT ACCESSORY (GAS KIT);

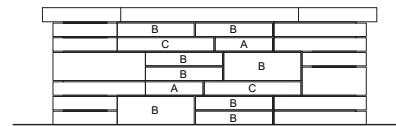
 RECOMMENDED LOCATION FOR IGNITION CONTROL (GAS KIT);



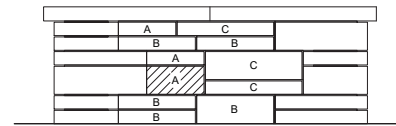
ELEVATION A



ELEVATION B



ELEVATION C

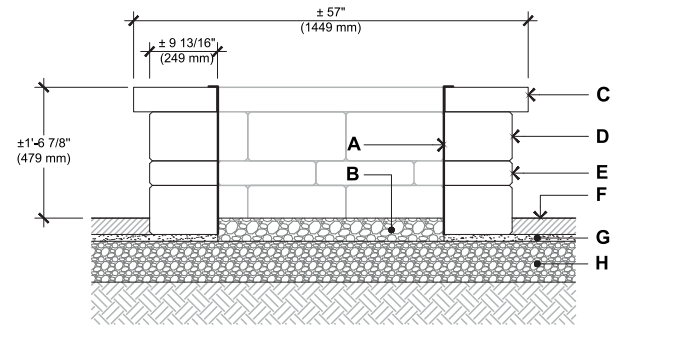
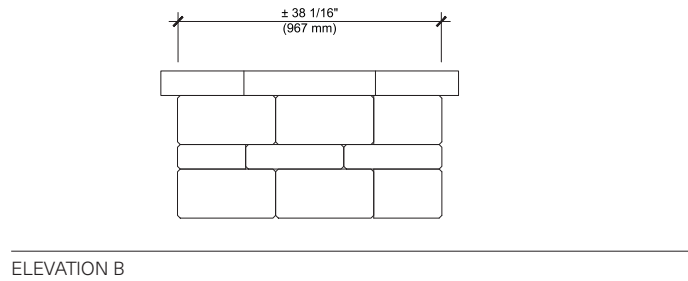
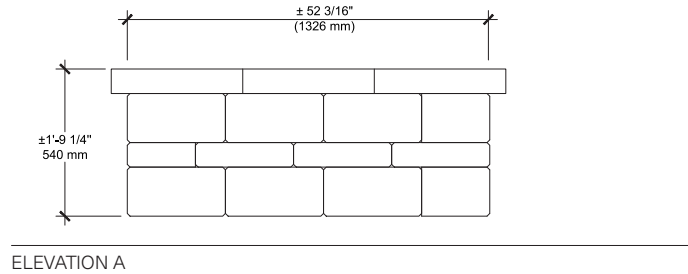
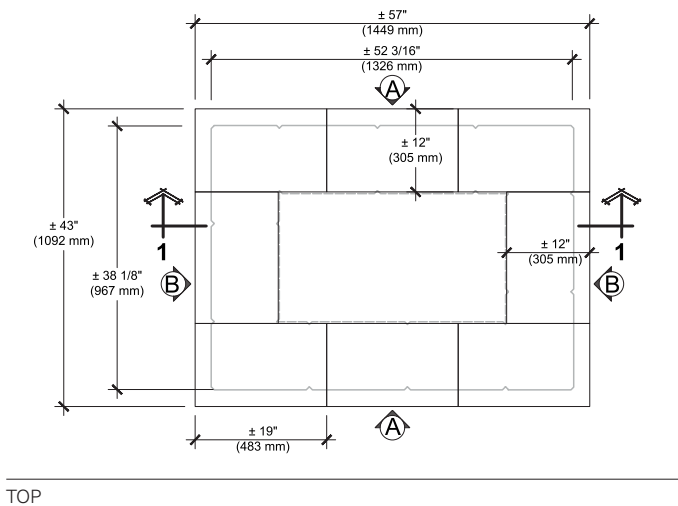


ELEVATION D

Consult our Installation Guide in our website for a detailed step by step installation.

INSTALLATION GUIDE

RAFFINATO FIRE PIT (KIT)



- A. STEEL BOX INSERT
- B. CLEAN STONE $\frac{3}{4}"$ (20 mm), 4" (100 mm) THICK
- C. RAFFINATO CAP 90 mm (PRE-CUT)
- D. RAFFINATO 180 mm CORNER BLOCK
- E. RAFFINATO 90 mm CORNER BLOCK
- F. TECHO-BLOC PAVERS OR SLABS
- G. SETTING BED 1" (25 mm)
- H. COMPACTED GRANULAR BASE 0- $\frac{3}{4}"$ (0-20 mm)

QUANTITY OF MATERIALS REQUIRED

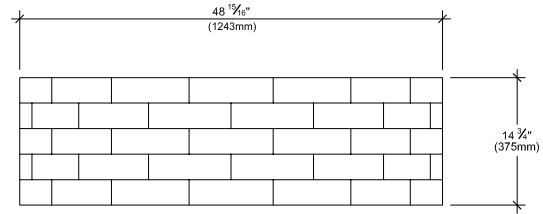
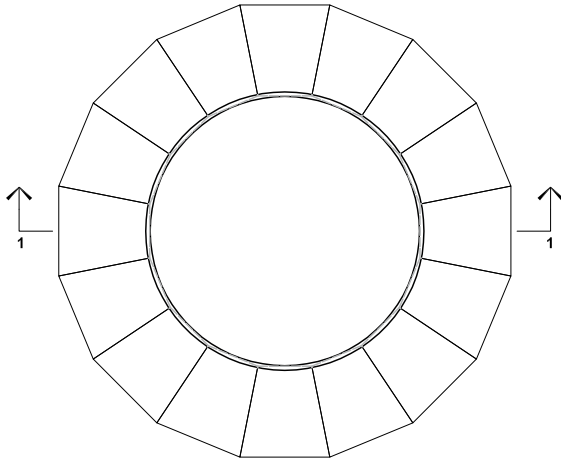
- Raffinato cap 90 mm: **8**
- Raffinato 90 mm corner block: **10**
- Raffinato 180 mm corner block: **20**

NOTE: Secure the blocks using a heat resistant concrete adhesive. The installer must ensure that the installation and use of the firepit comply with local regulations and code requirements.

Consult our Installation Guide in our website for a detail step by step installation.

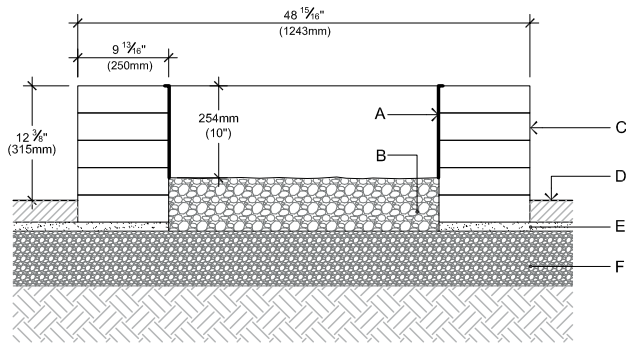
INSTALLATION GUIDE

VALENCIA FIRE PIT (KIT)



ELEVATION A

TOP VIEW



SECTION 1-1

- A. STEEL BOX INSERT
- B. CLEAN STONE 3/4" (20 mm), 6" (150 mm) THICK
- C. VALENCIA BLOCK
- D. TECO-BLOC PAVERS OR SLABS
- E. SETTING BED 1" (25 mm)
- F. COMPACTED GRANULAR BASE 0-3/4" (0-20 mm)

QUANTITY OF MATERIALS REQUIRED

- Valencia block: **80**

NOTE: Secure the blocks using a heat resistant concrete adhesive. The installer must ensure that the installation and use of the fire pit comply with local regulations and code requirements.

Consult our Installation Guide in our website for a detail step by step installation.

HPC BURNERS FOR FIRE PITS

DESCRIPTION

Made for outdoor gas fire pits (natural or propane), the patented design of the Torpedo™ burner by HPC delivers the biggest CSA-certified flame on the market. Made of welded commercial-grade stainless steel, this burner seamlessly blends into any fire pit design.

WHAT COMES IN THE HPC BURNER BOX?

Valencia units: burner and connection valve, accessories, owners manual, spark igniter kit, vent covers, key valve bracket, 5 install collars and a cover, 65k orifice installed, 150k orifice loose.

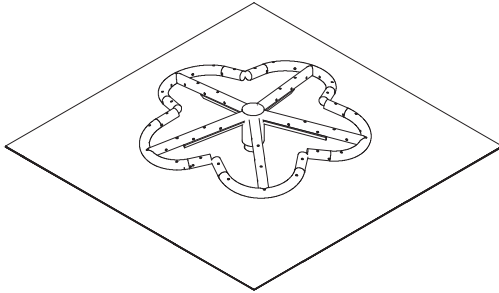
Prescott units: burner and connection valve, accessories, owners manual, spark igniter kit, vent covers, key valve bracket, 4 install collars and a cover, 65k orifice installed, 150k orifice loose.

Brandon units: burner and connection valve, accessories, owners manual, spark igniter kit, vent covers, key valve bracket, 4 install collars and a cover, 65k orifice installed, 150k orifice loose.

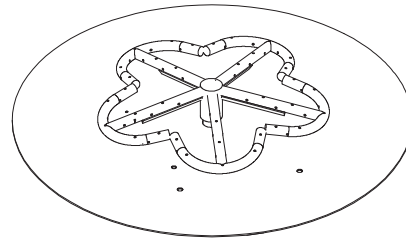
Raffinato units: burner and connection valve, accessories, owners manual, spark igniter kit, vent covers, key valve bracket, 4 install collars and a cover 65k orifice installed, 150k orifice loose.

The burner and connection valve come as one part connected. Install collars go around the perimeter of the fire pit.

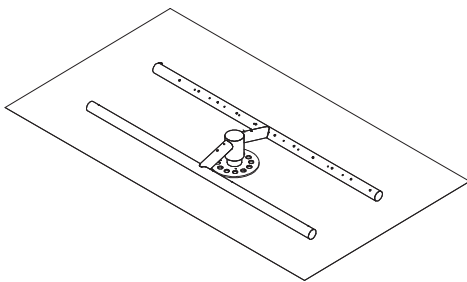
Lumi Bowl and Sculptura Collection: burner and connection valve, accessories, owners manual, key valve bracket, a vinyl cover, 65k orifice installed, 150k orifice loose.



HPC SQUARE - Compatible with Brandon Square, Prescott and Sculptura Collection (burner pan size as per product)



HPC ROUND - Compatible with Lumi, Sculptura Collection and Valencia (burner pan size as per product)



HPC RECTANGLE - Compatible with Brandon Rectangle, Raffinato and Sculptura Collection (burner pan size as per product)

BREEO SMOKELESS INSERTS

DESCRIPTION

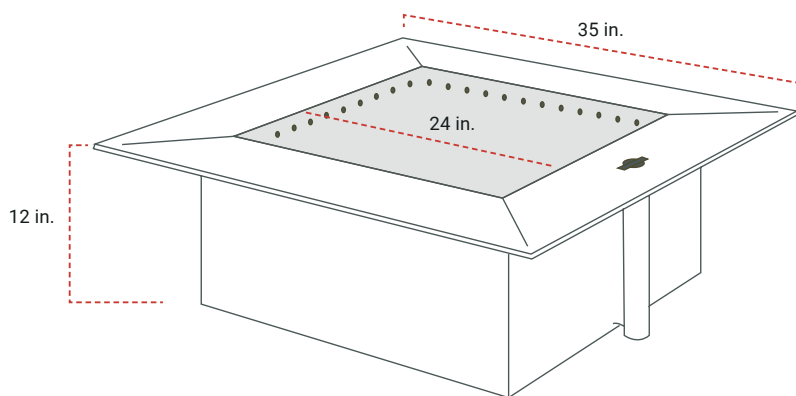
If you enjoy spending nights by a woodburning fire but aren't a fan of the smoke, the Zentro smokeless insert by Breeo was made for you. Designed to provide more oxygen, this insert allows for a hotter fire that burns its own smoke before it has a chance to escape the fire pit. Say goodbye to teary eyes and coughs, and hello to a great night with friends and family.

PRODUCT DETAILS:

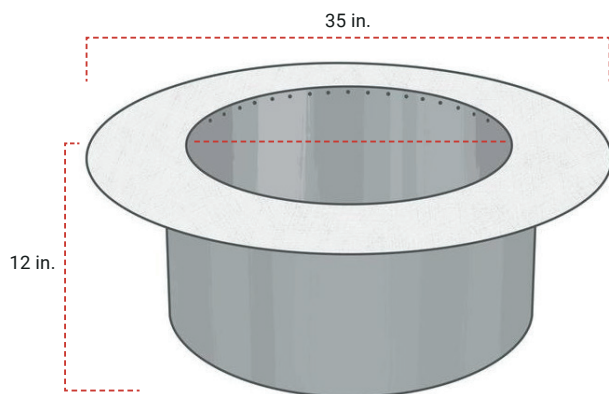
Size: 24"

Circular version compatible with:
Valencia Circle Fire Pit

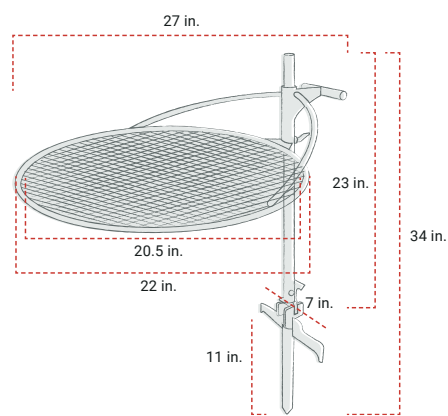
Square version compatible with:
Brandon Square Fire Pit
Prescott Square Fire Pit



BREEO SQUARE



BREEO ROUND 24"



BREEO OUTPOST

MATERIAL:

Outpost™ Grill:
Stainless Steel
Solid Stainless Post

Anchorpoint™ System:
Stainless Steel

DIMENSIONS:

Outpost™ Grill:
Grill Total Width: 22 in.
Grill Space Width: 20.5 in.
Post Height: 23"
(Exposed above Anchorpoint)

Post Total Height: 28.5 in.
(Inserts into Anchorpoint)

Max Height of Grill: 19 in.
(Top of Anchorpoint to Bottom of Grill)

MATERIAL:

Zentro: Black Painted Steel
Weight: 113 lbs.

DIMENSIONS:

Inside Diameter of Bowl: 24 in.
Outside Diameter of Rim: 35 in.
Total Height: 12 in.

MATERIAL:

Zentro: Black Painted Steel
Weight: 104 lbs.

DIMENSIONS:

Inside Diameter of Bowl: 24 in.
Outside Diameter of Rim: 35 in.
Total Height: 12 in.

Anchorpoint™ System:

Anchorpoint Width: 7 in.
Anchorpoint Height: 11 in.

Overall

Total Width: 27 in.
Total Height: 34 in.
Total Weight: 12 lbs. 9 oz.

Max Weight with Outpost™ Grill and Kettle Hook X24

X Series 19: 20 lbs.
X Series 24: 40 lbs.
X Series 30: 70 lbs.
(Weight limits with weight oriented 180 degrees opposite the pit)