



BRANDON RECTANGULAR FIRE PIT



TECHO-BLOC WARRANTY APPLIES TO BRANDON STONES
THE WARRANTY **DOES NOT APPLY** TO ACCESSORY KIT


NOTES

**Sold as a kit not pre-assembled.
Piedimonte caps included.**

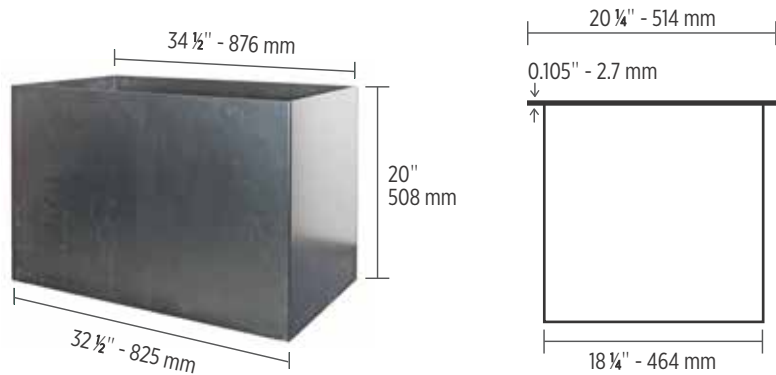
Techo-Bloc is not responsible for any damages to the firepit if it is not installed with a sleeve or accessory kit.

* For an authentic look, each color option is composed of a variety of darker & lighter tones. Natural ingredients such as granite are present within the recipe to allow for a range in tones, veining and textures from one stone to another.

See 252 for more technical information.

Specifications per pallet	Imperial	Metric
Cubing	58 units	58 units
Approx. Weight	2 660 lbs	1 207 kg
Overall Height	19 ¹⁵ / ₁₆ "	507 mm
Overall Width	44 ¹ / ₂ "	1 130 mm
Overall Length	57 ³ / ₄ "	1 467 mm
Brandon 90 mm units	20  units	
Brandon 90 mm corner units	30 units	
Cap units	8 units	

INSERT



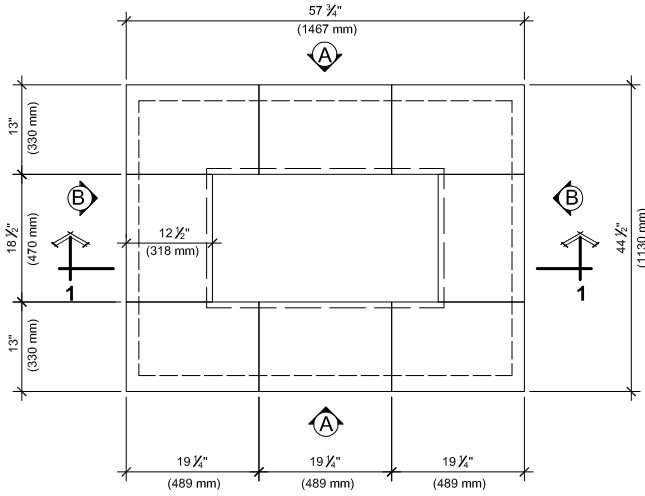
shale grey

chestnut brown

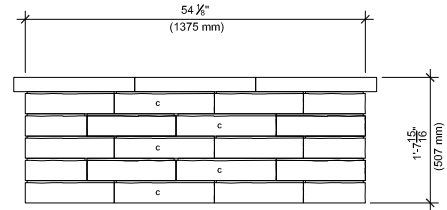


INSTALLATION GUIDE

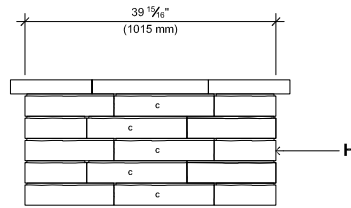
BRANDON RECTANGLE, FIRE PIT



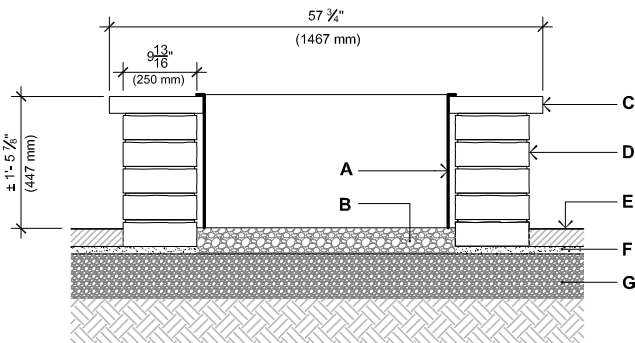
TOP



ELEVATION A



ELEVATION B



SECTION 1-1

- A. STEEL BOX INSERT
- B. CLEAN STONE 3/4" (20 mm), 4" (100 mm) THICK
- C. PIEDIMONTE CAP (PRE-CUT)
- D. BRANDON 90 mm BLOCK
- E. TECO-BLOC PAVERS OR SLABS
- F. SETTING BED 1" (25 mm)
- G. COMPACTED GRANULAR BASE 0-3/4" (0-20 mm)
- H. BRANDON 90 mm CORNER BLOCK

QUANTITY OF MATERIALS REQUIRED

- Piedimonte cap: 8
- Brandon 90 mm block **C**: 20
- Brandon 90 mm corner block: 30

NOTE : Secure the blocks using a heat resistant concrete adhesive. The installer must ensure that the installation and use of the fire pit comply with local regulations and code requirements.



BRANDON SQUARE FIRE PIT



TECHO-BLOC WARRANTY APPLIES TO BRANDON STONES
THE WARRANTY **DOES NOT APPLY** TO ACCESSORY KIT

NOTES

**Sold as a kit not pre-assembled.
Piedimonte caps included.**

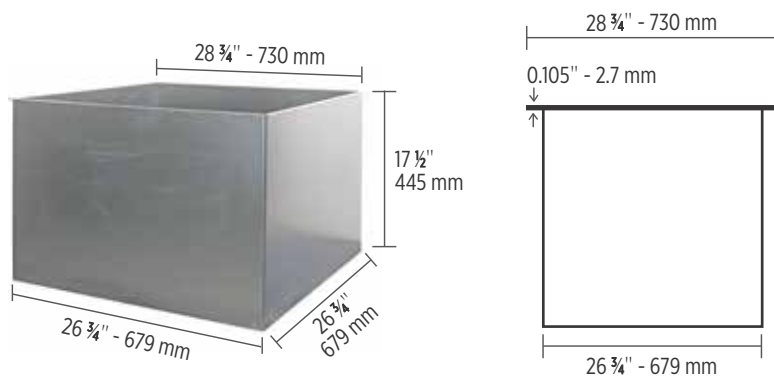
**Techo-Bloc is not responsible for
any damages to the firepit if it is not
installed with a sleeve or accessory kit.**

* For an authentic look, each color option is composed of a variety of darker & lighter tones. Natural ingredients such as granite are present within the recipe to allow for a range in tones, veining and textures from one stone to another.

See 254 for more technical information.

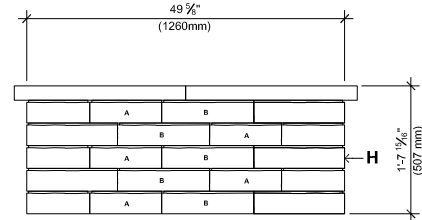
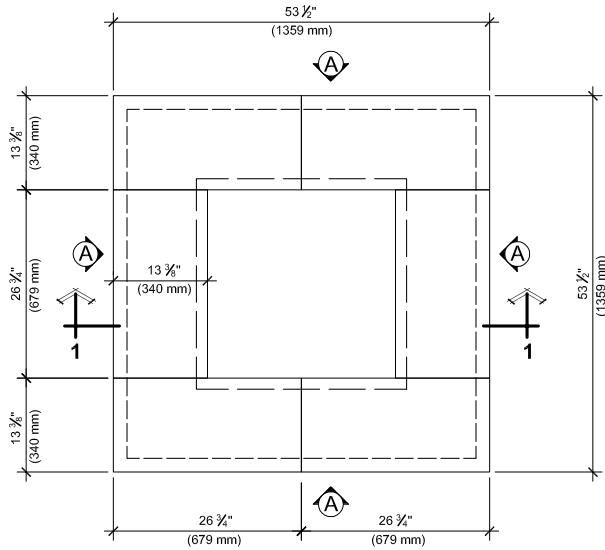
Specifications per pallet	Imperial	Metric
Cubing	66 units	66 units
Approx. Weight	2 454 lbs	1113 kg
Overall Height	19 ¹⁵ / ₁₆ "	507 mm
Overall Width	53 1/2"	1 359 mm
Overall Length	53 1/2"	1 359 mm
Brandon 90 mm units	20 A units	20 B units
Brandon 90 mm corner units	20 units	
Cap units	6 units	

INSERT



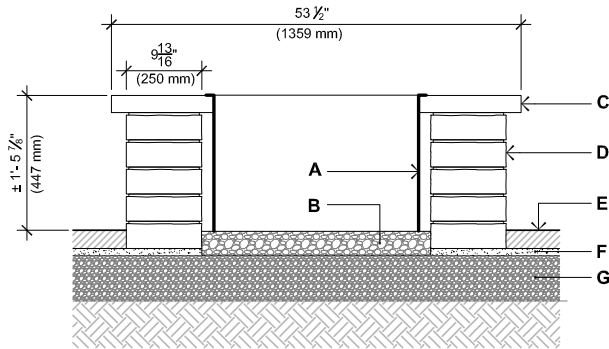
INSTALLATION GUIDE

BRANDON SQUARE, FIRE PIT



ELEVATION A

TOP



SECTION 1-1

- A. STEEL BOX INSERT
- B. CLEAN STONE 3/4" (20 mm), 4" (100 mm) THICK
- C. PIEDIMONTE CAP (PRE-CUT)
- D. BRANDON 90 mm BLOCK
- E. TECO-BLOC PAVERS OR SLABS
- F. SETTING BED 1" (25 mm)
- G. COMPACTED GRANULAR BASE 0-3/4" (0-20 mm)
- H. BRANDON 90 mm CORNER BLOCK

QUANTITY OF MATERIALS REQUIRED

- Piedimonte cap: 6
- Brandon 90 mm block: 20 **A**, 20 **B**
- Brandon 90 mm corner block: 20

NOTE : Secure the blocks using a heat resistant concrete adhesive. The installer must ensure that the installation and use of the fire pit comply with local regulations and code requirements.