

Technical Data Sheet

UPDATE:

April 01, 2014

Make sure you have an updated data sheet on hand.

Canada and U.S. dial **1-866-212-1611** or (450) 624-1611

DESCRIPTION:

FLEXLOCK EDGE RIGID & FLEX are made with 100% polypropylene copolymer. This will give it great strength as well as provide great flexibility. We have a **RIGID** model which is ideal for straight applications and the **FLEX** model that can be used for all curved applications such as walkways, paths, entrances etc. Both the **RIGID** and **FLEX** can be locked together with the “Twist & Lock” system. Finally the **RIGID** could be transformed into a partial **FLEX** by cutting the bridge support between each triangular angles.

FEATURES:

- The **Flex** can connect to the **Rigid**.
- Use a “Twist & Lock” connection system.
- Will not corrode.
- Easy-to-use.
- Available in flexible or rigid edges.
- Xtra versatile.
- Xtra robust system.
- Xtra support strength.
- UV resistant.
- Come in 8-ft lengths.
- Use with **Flexlock Nails**.
- UV resistant.

FOR USE ON:

FLEXLOCK EDGE is an excellent choice to help define alleys, driveways or sidewalks. **FLEXLOCK EDGE** is designed for straight or curved installation. It is especially easy to use and quick to install.

INSTALLATION INSTRUCTIONS:

1. It can be installed either before or after the paver installation.
2. Use one 10” nail every foot, or 3rd hole, for great support strength. Make sure borders are installed on a compacted structural aggregate base.
3. Use the “Twist & Lock” feature to secure the edging lengths together.
4. Nail at every “Twist & Lock” junction, this will ensure continuous lateral support.

NOTE: Both **Rigid** and **Flex** units can be joined together.

PACKAGING:

Product

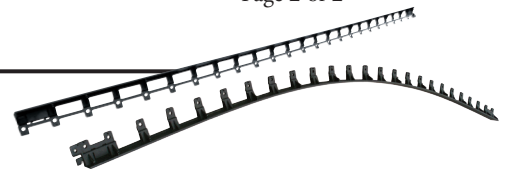
Flexlock Edge Flex 1 piece = 8 linear feet
1 Mini-pack = 6 pieces = 48 linear feet
1 Master-pack = 4 Mini-packs = 192 linear feet
1 pallet = 28 Master-packs = 5,376 linear feet

Flexlock Edge Rigid 1 piece = 8 linear feet
1 Mini-pack = 6 pieces = 48 linear feet
1 Master-pack = 4 Mini-packs = 192 linear feet
1 pallet = 28 Master-packs = 5,376 linear feet

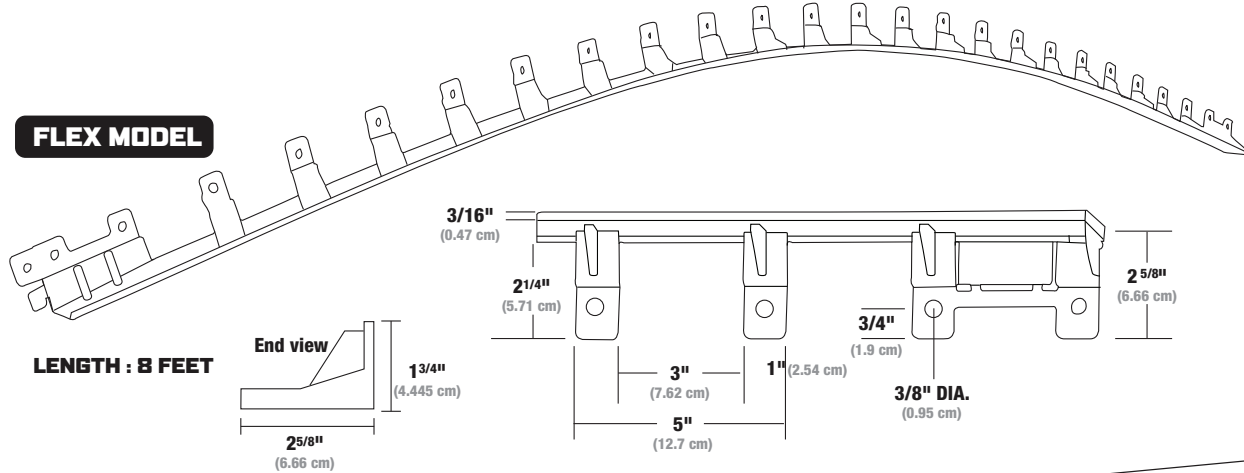
EDGE™

FLEXLOCK EDGE RIGID & FLEX

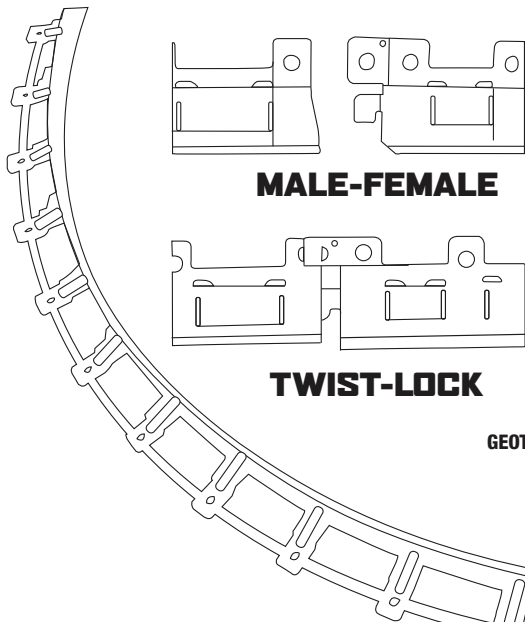
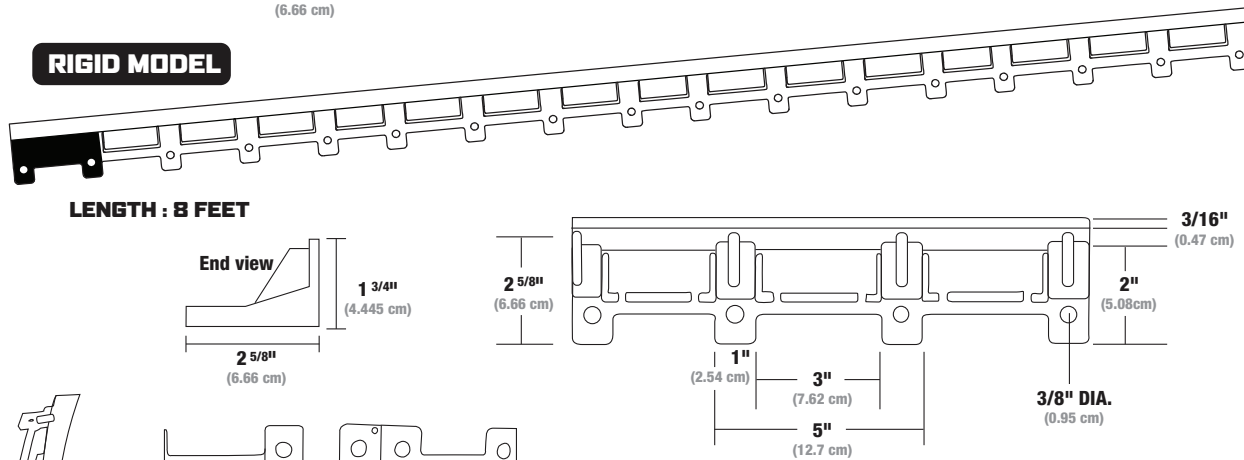
TDS Revision Date (dd/mm/yyyy): 01/04/2014



FLEX MODEL



RIGID MODEL

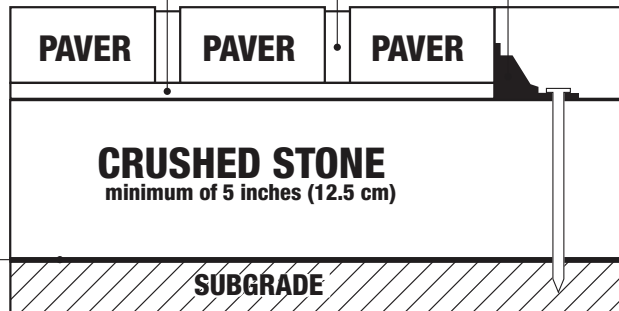


BEDDING SAND
maximum of 1 inch (2.5 cm)

POLYMERIC SAND

Flexlock Edge is:

- Height 1 3/4"
- Width 2 5/8"
- Length 8'



FLEXLOCK EDGE FLEX CAN CONNECT TO FLEXLOCK EDGE RIGID



Flexlock