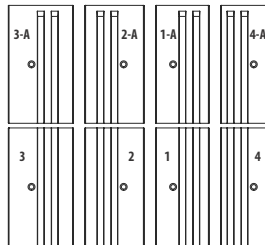




# GRAPHIX

**DESCRIPTION:** Wall double-sided **TEXTURE:** Smooth & Split Face

## PALLET OVERVIEW



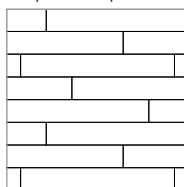
## COMPATIBLE CAPS

See page 100 for product compatibility.

## NOTES

See page 96 to 116 for more technical information.

## 01 | Linear pattern



Patterns are for design inspiration only. The installer is responsible to calculate & purchase the correct amount of material.

Visit our website for more patterns.









greyed nickel

onyx black

beige cream

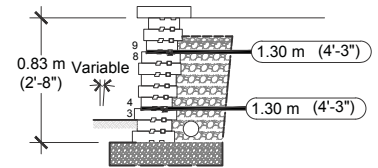
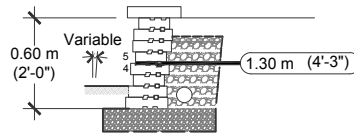
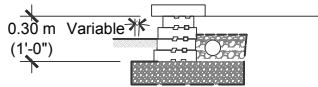


Specifications per pallet	Imperial	Metric
Cubing	<b>26.25 ft<sup>2</sup></b>	2.44 m <sup>2</sup>
	107.67 lin. ft	32.51 m lin.
Approx. Weight	2 773 lbs	1 258 kg
Number of rows	8	
Coverage per row	3.28 ft <sup>2</sup>	0.30 m <sup>2</sup>
Linear coverage per row	13.33 lin. ft	4.06 lin. m

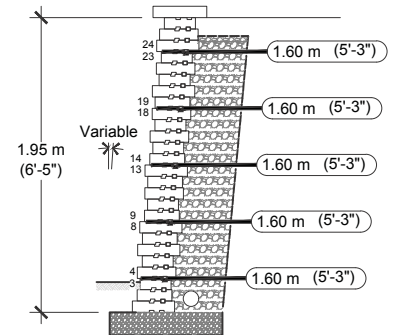
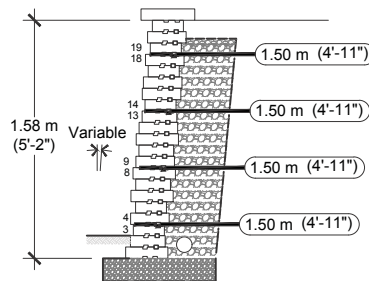
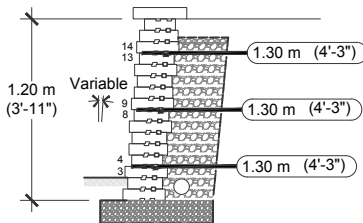
	Unit dimensions	in	mm	Units/pallet
 1	Height Depth Length	2 <sup>15</sup> / <sub>16</sub> 9 <sup>1</sup> / <sub>16</sub> 20	75 230 508	8 units
 2	Height Depth Length	2 <sup>15</sup> / <sub>16</sub> 10 <sup>1</sup> / <sub>16</sub> 20	75 255 508	8 units
 3	Height Depth Length	2 <sup>15</sup> / <sub>16</sub> 11 20	75 280 508	8 units
 4	Height Depth Length	2 <sup>15</sup> / <sub>16</sub> 8 <sup>1</sup> / <sub>16</sub> 20	75 205 508	8 units split on one side
 1A	Height Depth Length	2 <sup>15</sup> / <sub>16</sub> 9 <sup>1</sup> / <sub>16</sub> 20	75 230 508	8 units Left corner unit
 2A	Height Depth Length	2 <sup>15</sup> / <sub>16</sub> 10 <sup>1</sup> / <sub>16</sub> 20	75 255 508	8 units Right corner unit
 3A	Height Depth Length	2 <sup>15</sup> / <sub>16</sub> 11 20	75 280 508	8 units Left corner unit
 4A	Height Depth Length	2 <sup>15</sup> / <sub>16</sub> 8 <sup>1</sup> / <sub>16</sub> 20	75 205 508	8 units Right corner unit, split on one side

REINFORCED SOIL: GRAVEL/ SAND AND GRAVEL MIXES ( $\phi=35^\circ$ ,  $\gamma = 22 \text{ kN/m}^3$ )  
 GEOGRID: MIRAGRID 3XT BY TENCATE (RFd=1.10, RFcr=1.45, RFid=1.25, Cds=0.9, Ci=0.9)

**CASE N° 1 :**  
 No Surcharge  
 No Backslope  
 No Toe Slope



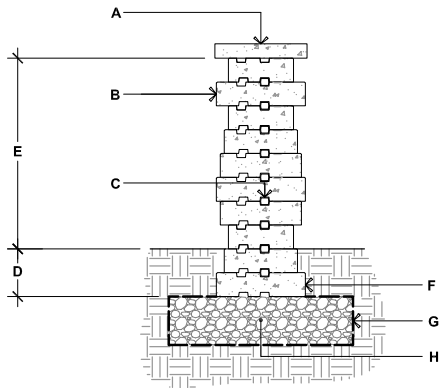
VISIT [WWW.TECHO-BLOC.COM](http://WWW.TECHO-BLOC.COM) FOR COMPLETE DESIGN CHART DOCUMENT



- The information contained in the design charts is supplied for information purposes only and as such should only be used for preliminary designs.
- The height (H) of the wall is the total height from the leveling pad to the top of the wall not including the thickness of the cap.
- Soil parameters: reinforced soil ( $\phi = 35^\circ$ ,  $\gamma = 22 \text{ kN/m}^3$ ); retained soil ( $\phi = 26^\circ$ ,  $\gamma = 20 \text{ kN/m}^3$ ); foundation soil ( $\phi = 26^\circ$ ,  $\gamma = 20 \text{ kN/m}^3$ )
- A qualified engineer should be consulted for the final design to be used for construction.
- The foundation soil must be able to support the wall system. The bearing capacity of the foundation soil, settlement, and global stability must be verified and validated by a qualified geotechnical engineer.
- The seismic analysis is not included.
- The design charts do not apply to tiered walls.
- The charts assume that the walls are constructed in accordance with Techo-Bloc specifications, good construction practice and an adequate drainage system.
- The geogrid layout has been optimized to satisfy the design requirements of the NCMA's Design Manual for Segmental Retaining Walls, 3rd Edition.
- The minimum burial depth must be 150 mm (6 in) or 10% of the exposed height, whichever is greater.
- Engineering judgement should be used when interpolating between heights.
- Techo-Bloc and its predecessors, successors, beneficiaries, employees, associates, administrators and insurers accepts no liability for the incorrect use of information contained in the design charts.
- For further information, please contact our technical service department.

# INSTALLATION GUIDE

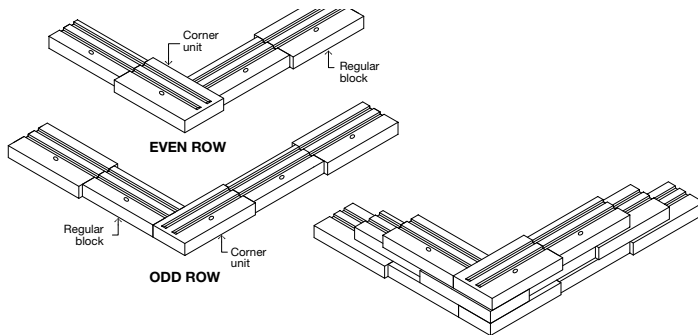
## FREESTANDING WALLS - GRAPHIX



### GRAPHIX

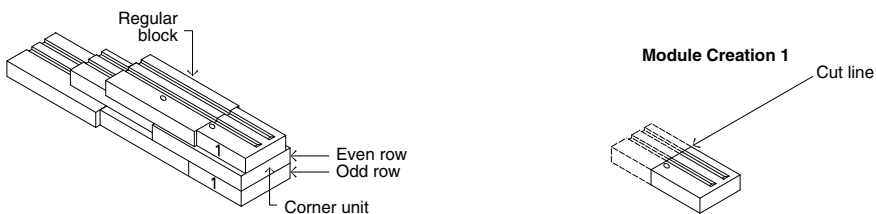
- A. TECO-BLOC CAP UNIT SECURED TO UNIT BELOW WITH CONCRETE ADHESIVE
- B. GRAPHIX DOUBLE-SIDED WALL UNITS SECURE EACH ROW WITH CONCRETE ADHESIVE
- C. CONNECTOR
- D. EMBEDMENT DEPTH, 6" (150 mm) MIN.
- E. 23 1/2" (600 mm) MAX.
- F. FOR THE FIRST ROW, ALWAYS USE THE DEEPER GRAPHIX BLOCK
- G. GEOTEXTILE
- H. COMPACTED GRANULAR LEVELING PAD, 6" (150 mm) THICK MIN. THICKNESS ACCORDING TO PROJECT SPECIFIC CONDITIONS

## 90° CORNER OF A DOUBLE-SIDED WALL



1. Alternate odd and even rows.
2. Stagger joints from one row to the next.
3. Glue all modules at each row with a concrete adhesive.
4. Connectors are not illustrated to avoid overloading the image.
5. It is possible to alternate the blocks (1, 2, 3 or 4) in the same row to create different patterns. However, a corner block (1A, 2A, 3A or 4A) must always be present at the end of a row and must be alternated for each subsequent row.
6. At the corner, make sure to place the blocks so that the grooves of the block cannot be seen.

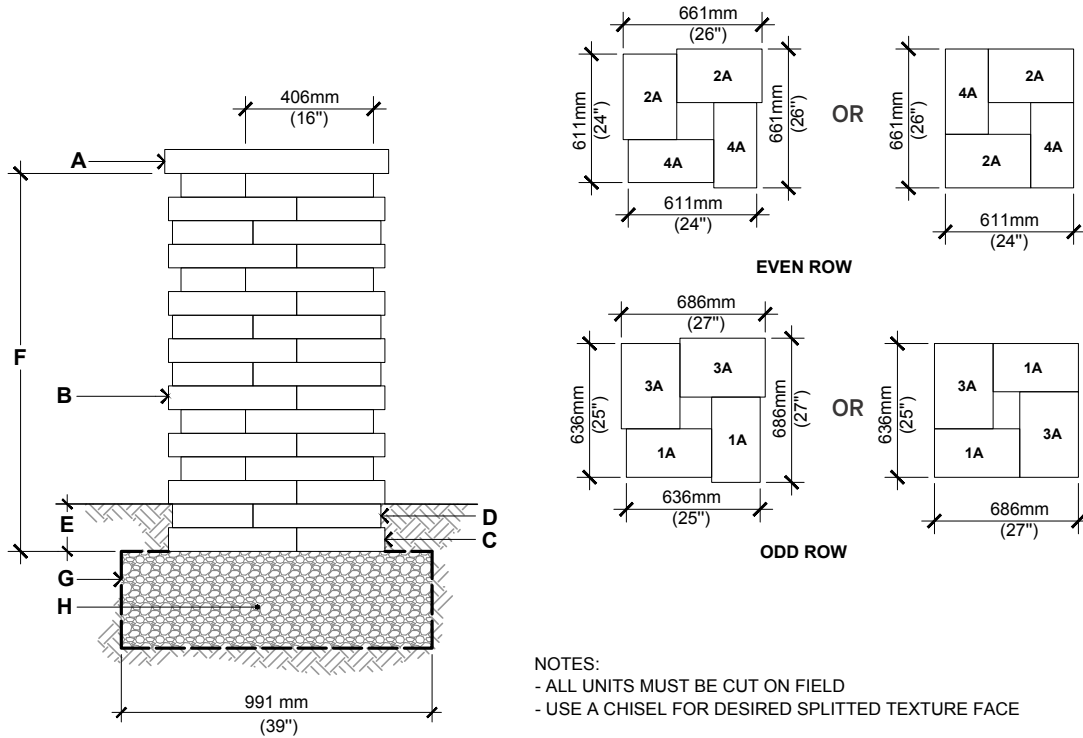
## DOUBLE-SIDED WALL - END OF A STRAIGHT WALL



\* It is possible to alternate the blocks (1, 2, 3 or 4) in the same row to create different patterns. However, a corner block and a cut corner block (1A, 2A, 3A or 4A) must always be present at the end of a row and must be alternated for each subsequent row.

# INSTALLATION GUIDE

## PILLARS - GRAPHIX



### GRAPHIX

- A.** PILLAR CAP UNIT (SECURE WITH CONCRETE ADHESIVE)
- B.** GRAPHIX CORNER UNIT  
SECURE EACH ROW WITH CONCRETE ADHESIVE  
CUT EACH BLOCK AT 16" (406 mm) FROM THE CORNER EDGE
- C.** USE THE BLOCKS 1A-3A FOR THE ODD ROWS
- D.** USE THE BLOCKS 2A-4A FOR THE EVEN ROWS
- E.** EMBEDMENT DEPTH 6" (150 mm) MIN.
- F.** 23 5/8" (600 mm) HEIGHT PER PALLET  
47 1/4" (1200 mm) MAXIMUM HEIGHT
- G.** GEOTEXTILE
- H.** COMPACTED GRANULAR BASE 6" (150 mm) THICK MIN.  
THICKNESS ACCORDING TO PROJECT SPECIFIC CONDITIONS

For all possible combinations of walls and caps, please refer to the correspondence table on 100.