



PRESCOTT

DESCRIPTION: Fire pit TEXTURE: Natural stone



NOTES

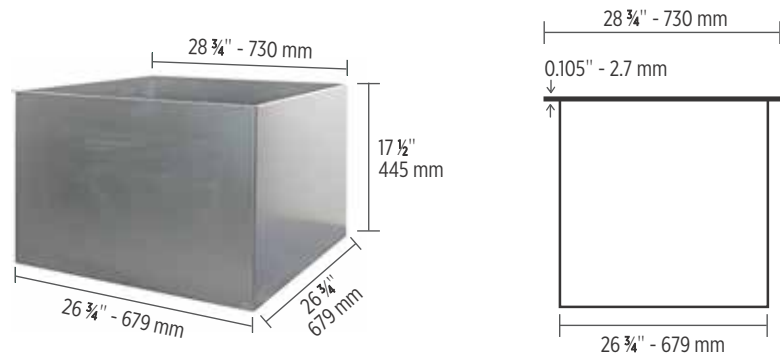
Sold as a kit not pre-assembled. Piedimonte caps included.

Techo-Bloc is not responsible for any damages to the firepit if it is not installed with a sleeve or accessory kit.

* For an authentic look, each color option is composed of a variety of darker & lighter tones. Natural ingredients such as granite are present within the recipe to allow for a range in tones, veining and textures from one stone to another.

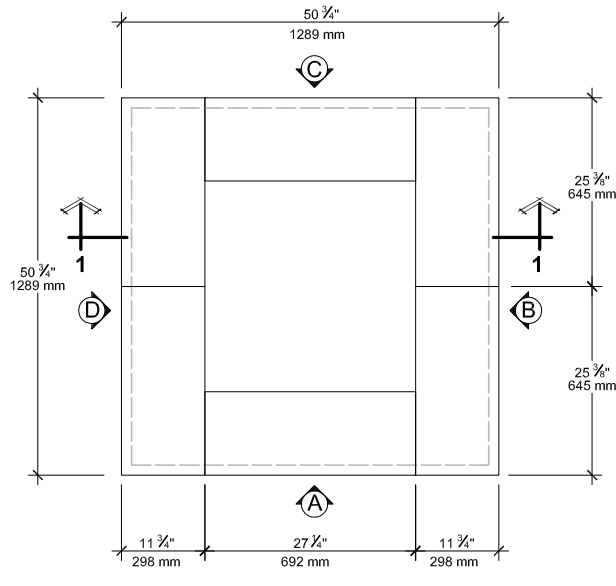
See 262 for more technical information.

Specifications per pallet	Imperial	Metric
Approx. Weight	2 813 lbs	1276 kg
Height	18"	457 mm
Depth	51 3/4"	1 314 mm
Length	51 3/4"	1 314 mm
Piedimonte caps	6	
Prescott 2,25" block	7 A , 18 B , 7 C	
Prescott 4,5" block	3 A , 6 B , 3 C	
Prescott 2,25" corner block	16	
Prescott 4,5" corner block	6	

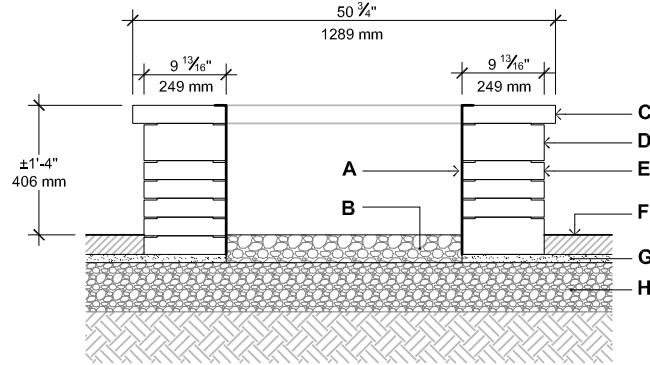


INSTALLATION GUIDE

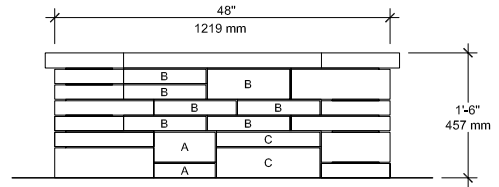
PRESCOTT FIRE PIT



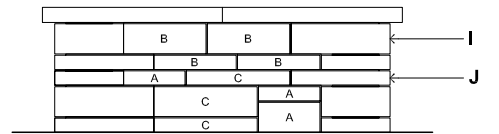
TOP



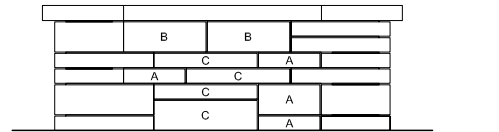
SECTION 1-1



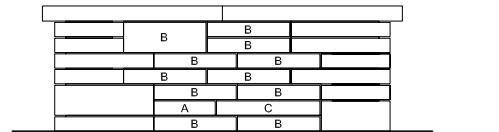
ELEVATION A



ELEVATION B



ELEVATION C



ELEVATION D

- A. STEEL BOX INSERT
- B. CLEAN STONE 3/4" (20 mm), 4" (100 mm) THICK
- C. PIEDIMONTE CAP (CUT)
- D. PRESCOTT 4.5" BLOCK
- E. PRESCOTT 2.25" BLOCK
- F. TECO-BLOC PAVERS OR SLABS
- G. SETTING BED 1" (25 mm)
- H. COMPACTED GRANULAR BASE 0-3/4" (0-20 mm) (SEE TABLE PAGE 47 FOR THICKNESS)
- I. PRESCOTT 4.5" CORNER BLOCK
- J. PRESCOTT 2.25" CORNER BLOCK

QUANTITY OF MATERIALS REQUIRED

- Piedimonte cap: **6**
- Prescott 2.25" block: **7 A, 18 B, 7 C**
- Prescott 4.5" block: **3 A, 6 B, 3 C**
- Prescott 2.25" corner block: **16**
- Prescott 4.5" corner block: **6**

NOTE: Secure the blocks using a heat resistant concrete adhesive. The installer must ensure that the installation and use of the firepit comply with local regulations and code requirements.

Consult our Installation Guide in our website for a detailed step by step installation.