



RAFFINATO

DESCRIPTION: Fire pit TEXTURE: Smooth



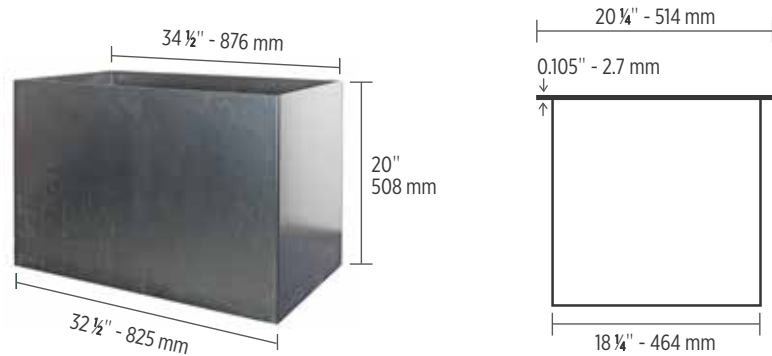
NOTES

**Sold as a kit not pre-assembled.
12"×24" caps included.**

Techo-Bloc is not responsible for any damages to the firepit if it is not installed with a sleeve or accessory kit.

See 266 for more technical information.

Specifications per pallet	Imperial	Metric
Approx. Weight	2 700 lbs	1 224 kg
Height	21 ¼"	540 mm
Depth	41 ½"	1 054 mm
Length	55 ⅞"	1 419 mm
12"×24" caps	8	
Raffinato 90 mm corner block	10	
Raffinato 180 mm corner block	20	



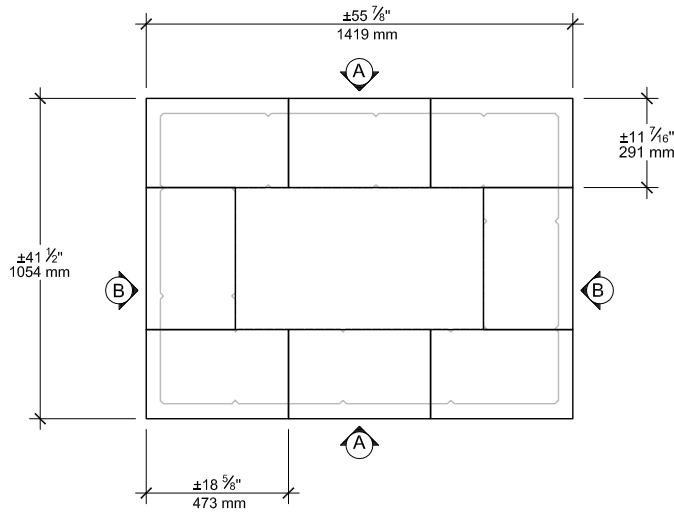
greyed nickel

beige cream

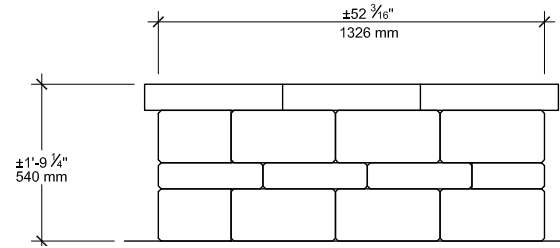


INSTALLATION GUIDE

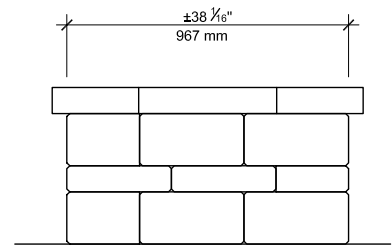
RAFFINATO FIRE PIT



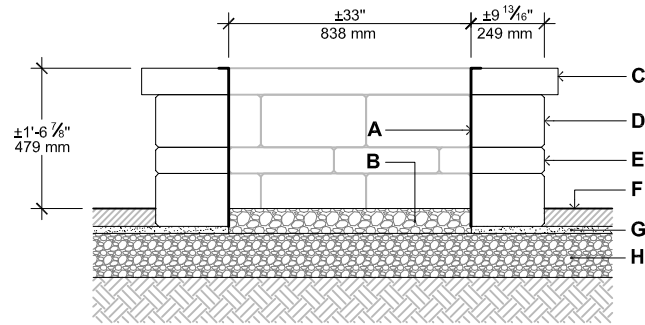
TOP



ELEVATION A



ELEVATION B



SECTION 1-1

- A. STEEL BOX INSERT
- B. CLEAN STONE 3/4" (20 mm), 4" (100 mm) THICK
- C. 12" × 24" CAP (CUT)
- D. RAFFINATO 180 mm CORNER BLOCK
- E. RAFFINATO 90 mm CORNER BLOCK
- F. TECO-BLOC PAVERS OR SLABS
- G. SETTING BED 1" (25 mm)
- H. COMPACTED GRANULAR BASE 0-3/4" (0-20 mm)

QUANTITY OF MATERIALS REQUIRED

- 12" × 24" cap: **8**
- Raffinato 90 mm corner block: **10**
- Raffinato 180 mm corner block: **20**

NOTE: Secure the blocks using a heat resistant concrete adhesive. The installer must ensure that the installation and use of the firepit comply with local regulations and code requirements.



RAFFINATO

DESCRIPTION: Pizza oven TEXTURE: Smooth



Specifications per pallet		Imperial	Metric
BASE	Approx. Weight	2 073 lbs	940 kg
	Height	39"	990 mm
	Depth	42 ³ / ₈ "	1 077 mm
	Length	47 ⁷ / ₈ "	1 216 mm
	Raffinato 90 mm block	24	
	Raffinato 180 mm block	40	

Specifications per pallet		Imperial	Metric
COUNTER	Approx. Weight	1 330 lbs	603 kg
	Height	39"	990 mm
	Depth	37"	940 mm
	Length	30"	762 mm
	Counter top	1	
	Raffinato 180 mm block	25	

Specifications per pallet		Imperial	Metric
FORNO PIZZA OVEN	Approx. Weight	400 lbs	181 kg
	Height	45 ¹¹ / ₁₆ "	1 160 mm
	Width	33 ¹¹ / ₁₆ "	855 mm
	Length	38 ⁹ / ₁₆ "	980 mm



NOTES

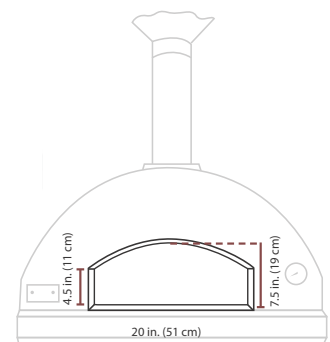
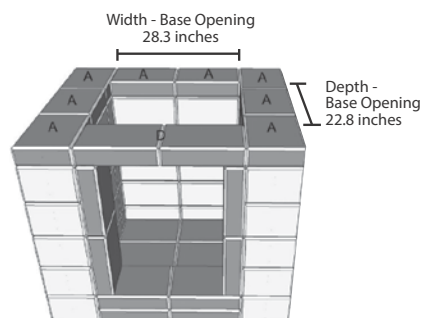
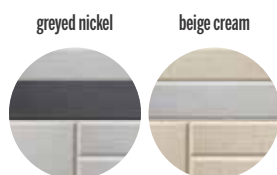
COMES WITH VARIOUS PIZZA ACCESSORIES.

Sold as a kit not pre-assembled.
Available on order only.

See 264 for more technical information.

Available on order only.

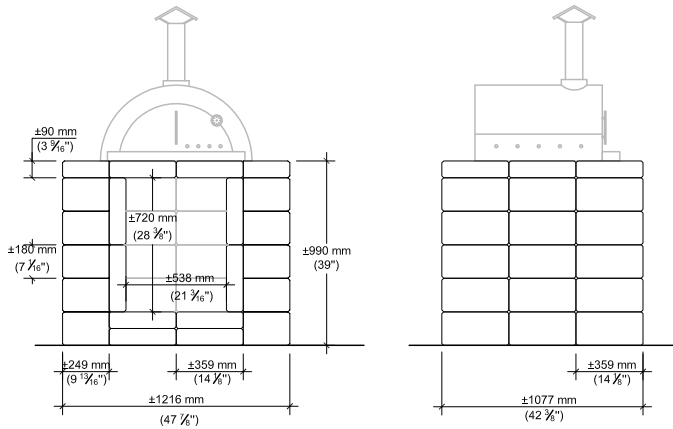
Cooking surface dimensions: 24" x 32"
(610 x 813 mm)



INSTALLATION GUIDE

RAFFINATO, PIZZA OVEN

MODULE WITHOUT COUNTER TOP



FRONT ELEVATION

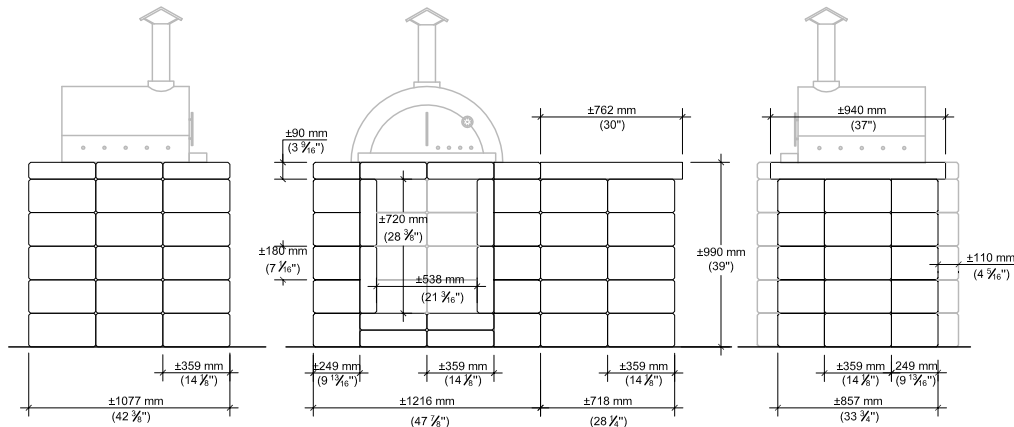
LEFT SIDE ELEVATION

QUANTITY OF MATERIALS REQUIRED - MODULE WITHOUT COUNTER TOP

Raffinato 90 mm block: **24**

Raffinato 180 mm block: **40**

MODULE WITH COUNTER TOP



LEFT SIDE ELEVATION

FRONT ELEVATION

RIGHT SIDE ELEVATION

QUANTITY OF MATERIALS REQUIRED - MODULE WITH COUNTER TOP

Raffinato 90 mm block: **24**

Raffinato 180 mm block: **65**

Counter top: **1**

NOTE : Secure the blocks using a heat resistant concrete adhesive. The installer must ensure that the installation and use of the pizza oven comply with local regulations and code requirements. The construction of the base should include the installation of a concrete slab and pillars under the slab. The depth of the pillars and reinforcement requirements should be determined based on site conditions and comply with local code.