

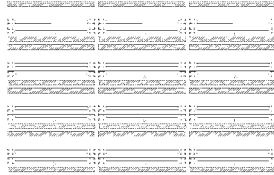


Stonedge
COLLECTION

TRAVERTINA RAW

DESCRIPTION: Double-sided wall **TEXTURE:** Brushed Travertine

PALLET OVERVIEW



COMPATIBLE CAPS

See page 103 for product compatibility.

NOTES

The dimensional tolerance for Stonedge wet cast retaining wall units is: $\pm 3/16$ " (5 mm) for height and $\pm 1/2$ " (13 mm) for length and width. During the installation, the level between adjacent wall units will vary (usually more than for a dry cast wall unit) in order to obtain a more realistic appearance of a natural stone wall.

See page 99 to 119 for more technical information.

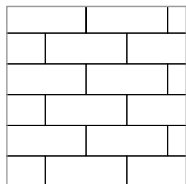
Specifications per pallet	Imperial	Metric
Cubing	31.75 ft² /pal	2.95 m ² /pal
	63.5 lin. ft /pal	19.36 lin. m /pal
Approx. Weight	2 902 lbs	1 316 kg
Number of rows	4	
Coverage per units	0.66 ft ² /unit	0.06 m ² /unit
Coverage per row	7.94 ft ² /row	0.74 m ² /row
Linear coverage per row	15.88 lin. ft/row	4.84 lin. m/row



Unit dimensions	in	mm	Units/pallet
Height	6	152	48 units
Depth	7 ¹⁵ / ₁₆	202	
Length	15 ⁷ / ₈	403	



01 | Linear pattern



Patterns are for design inspiration only. The installer is responsible to calculate & purchase the correct amount of material.

Visit our website for more patterns.

riviera

rock garden brown

ivory

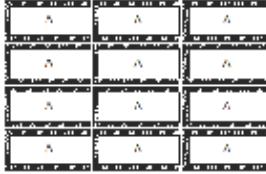




TRAVERTINA RAW

DESCRIPTION: Corners and pillars **TEXTURE:** Brushed Travertine

PALLET OVERVIEW



Specifications per pallet	Imperial	Metric
Cubing	24 units	24 units
Approx. Weight	1 576 lbs	715 kg
Number of rows	2	
Pillar height	36"	914 mm



COMPATIBLE CAPS

See page 103 for product compatibility.

NOTES

The dimensional tolerance for Stonedge wet cast retaining wall units is: $\pm 3/16"$ (5 mm) for height and $\pm 1/2"$ (13 mm) for length and width. During the installation, the level between adjacent wall units will vary (usually more than for a dry cast wall unit) in order to obtain a more realistic appearance of a natural stone wall.

See page 99 to 119 for more technical information.



Unit dimensions	in	mm	Units/pallet
Height	6	152	24 units
Depth	7 ¹⁵ / ₁₆	202	
Length	15 ⁷ / ₈	403	

riviera



rock garden brown

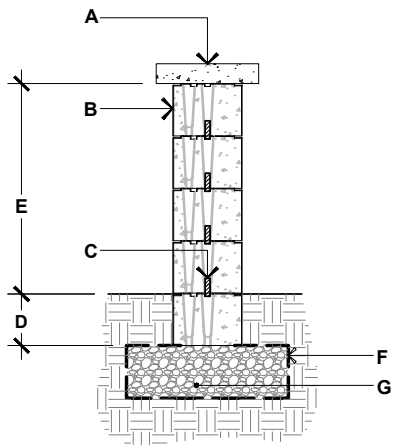


ivory



INSTALLATION GUIDE

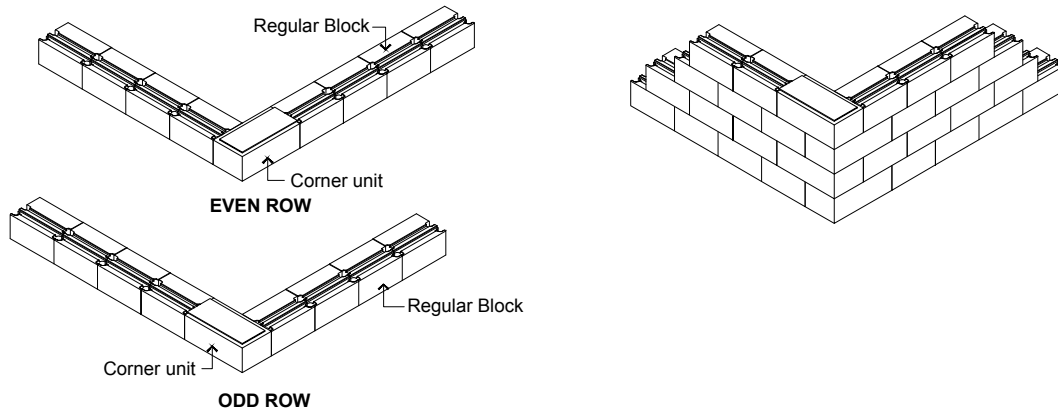
FREESTANDING WALLS - TRAVERTINA RAW



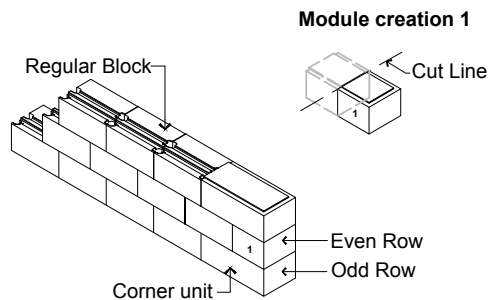
TRAVERTINA RAW

- A. TECHO-BLOC CAP UNIT, SECURED TO UNIT BELOW WITH CONCRETE ADHESIVE
- B. TRAVERTINA RAW DOUBLE-SIDED WALL UNIT
SECURE EACH ROW WITH CONCRETE ADHESIVE
- C. CONNECTOR
- D. EMBEDMENT DEPTH, 6" (150 mm) MIN.
- E. 24" (612 mm) MAX.
- F. GEOTEXTILE
- G. COMPACTED GRANULAR LEVELING PAD, 6" (150 mm) THICK MIN.
THICKNESS ACCORDING TO PROJECT SPECIFIC CONDITIONS

90° CORNER OF A DOUBLE-SIDED WALL



DOUBLE-SIDED WALL - END OF A STRAIGHT WALL

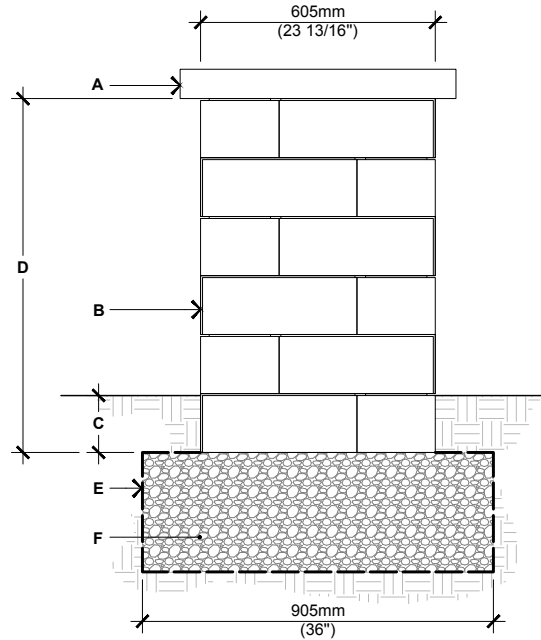


GENERAL NOTES

1. Alternate odd and even rows.
2. Stagger joints from one row to the next.
3. Glue all modules at each row with a concrete adhesive.

INSTALLATION GUIDE

PILLARS - TRAVERTINA RAW

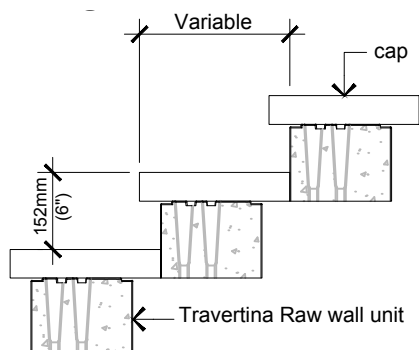


○ TRAVERTINA RAW

- A. PILLAR CAP UNIT
(SECURE WITH CONCRETE ADHESIVE)
- B. TRAVERTINA RAW PILLAR UNIT
SECURE EACH ROW WITH CONCRETE ADHESIVE
- C. EMBEDMENT 6" (150 mm) MIN.
- D. 36" (917 mm), HEIGHT PER PALLET
42" (1067 mm), MAXIMUM HEIGHT
- E. GEOTEXTILE
- F. COMPACTED GRANULAR BASE 6" (150mm)
THICK MIN. THICKNESS ACCORDING TO
PROJECT SPECIFIC CONDITIONS

For all possible combinations of pillars and caps, please refer to the correspondence table on page 103

STEPS



For all possible combinations of walls and caps, please refer to the correspondence table on page 103