

SLABS

PATIOS, WALKWAYS, POOLSIDES & STEPPING STONES






PHYSICAL AND GEOMETRICAL CHARACTERISTICS

CHARACTERISTICS	CSA A231.1
Flexural strength	4.5 MPa (650 psi) min.
De-icing salt freeze-thaw durability	Mass loss (max.): 500 g/m ² at 28 cycles Mass loss (max.): 1200 g/m ² at 49 cycles
Dimensional tolerance	Length and Width: -1.0 mm to +2.0 mm Thickness: \pm 3.0 mm
Concave or Convex Warpage (Up to and including 450 mm)	\pm 2.0 mm
Concave or Convex Warpage (Over 450 mm)	\pm 3.0 mm

Notes : Dimensional tolerances prior to the application of architectural finishes.

INSTALLATION GUIDE

TYPICAL APPLICATION USAGE

SECTOR	TRAFFIC TYPE & APPLICATIONS	SLABS
RESIDENTIAL	<p>1. Light traffic</p>  <p>Cars and occasional light service trucks (ex. residential driveways)</p>	<ul style="list-style-type: none"> - Blu 60 mm (6 x 13)
	<p>2. Pedestrian</p>  <p>Pedestrian only and at all times (ex. patios)</p>	<ul style="list-style-type: none"> - Aberdeen - Blu 60 mm - Blu Grande - Borealis - Borealis Stepping Stone - Dunes - Flagstone 60 mm - Inca - Industria Slab (60 mm) - Maya - Ocean Grande - Para - Travertina Raw - All products from traffic type 1
ICI (Industrial, Commercial and Institutional)	<p>3. Pedestrian</p>  <p>Pedestrian only and at all times, without cars, or trucks or other mobile equipment (ex. terraces, parks, pedestrian walkways)</p>	<p>Adjustable pedestal applications:</p> <ul style="list-style-type: none"> - Blu Grande - Industria Slab (60 mm) - Para 500x750

INSTALLATION GUIDE

SLABS

INSTALLATION OUTLINE

01 EXCAVATION

- A. Before excavating, call all the local utility companies (e.g., phone, gas, electrical) to ensure that the area in which you plan to dig is clear of underground cables or wires. If any are found, please notify the appropriate companies before you continue.
- B. When excavating, it is important to achieve a slope in increments of $\frac{3}{16}$ " per ft (5 mm per 300 mm) which will allow for proper drainage. The excavation should mirror final grade of pavement.
- C. The width of the base behind the edge should be equivalent to the thickness of the base.
- D. With the help of a rake, grade the bottom of the excavated area. If the natural soil is granular or sandy we recommend that you compact the soil with a vibrating plate. If the soil is clay-like, change the soil with a blend of lime and crushed stone prior to compaction. Next, cover it with a layer of geotextile membrane to prevent the contamination of the base (clay and 0- $\frac{3}{4}$ " [0-20 mm] crushed stone). Refer to the table "**Thickness of the Granular Foundation**" (on next page) to find the minimum thickness of foundation required.

02 FOUNDATION

- A. Install the 0- $\frac{3}{4}$ " (0-20 mm) crushed stone base in 4" (100 mm) lifts with a minimum 5,000 lbf (22 kN) vibrating plate compactor.
- B. To facilitate compacting, wet the base material thoroughly and compact with a vibrating plate proceeding in all directions. Continue this process until you achieve the desired height. At this stage, you can verify the final height with the help of a paver.
- C. Base tolerance $\pm \frac{3}{8}$ " (10 mm) for every 10' (3-m) increment.

03 THE SETTING BED

- A. On the compacted crushed base, install two pipes with an outside diameter of 1" (25 mm). Grade the concrete sand with the help of a straight edge (or Quick-E leveler). If the base isn't properly graded and smooth, imperfections will be evident in the finishing grade of the pavement.
- B. Once the setting bed is graded, pre-compact with a hand tamper, then lightly fluff.

04 INSTALLATION OF SLABS

- A. Once the choice of slabs and the design have been finalized, it is recommended you start installing the slabs at a 90-degree angle. To obtain a 90-degree angle, use the rule of a 3 / 4 / 5-triangle. To do this, proceed as follows: measure a first horizontal line of 3' (1-m) and a second line of 4' (1.2 m) perpendicular to the first. Connect a third straight line of 5' (1.5 m), which will form a triangle, and the result will be a perfect 90-degree angle. While installing the slabs, walk on the installed slabs and fill in gaps caused by the pipes with concrete sand.
- B. It is always recommended that you use more than two cubes at a time in order to maximize the color blends. Furthermore, you should proceed with the cubes from top to bottom.
- C. You may use a chalk line to mark the stones to be cut along the borders, using a concrete saw. When cutting slabs, we recommend you wear protective ear and eyewear.
- D. Once you finish installing the slabs, you can then install Belgik, Pietra, Tundra, or Avignon curbstone. To keep curbs in place, add mortar along the back between the ground and the curbstone or, when available, use their plastic retention systems.

05 FILLING IN JOINTS

- A. Spread out the polymer stabilizer sand on the slabs, and sweep in between joints in all directions.
- B. Remove excess sand and follow the instructions exactly as indicated on the polymer stabilizer sand packaging.
- C. The use of a vibrating plate is not recommended on slabs.

INSTALLATION GUIDE

SLABS



VIBRATING PLATE ALERT!

We do not recommend passing the vibrating plate on slabs.

THICKNESS OF THE GRANULAR FOUNDATION¹

RESIDENTIAL PROJECTS	TYPE OF EXISTING SOIL	
	Clayey or Silty ²	Sandy or Gravelly
Patios and Walkways	6" to 8" (150 to 200 mm)	4" to 6" (100 to 150 mm)

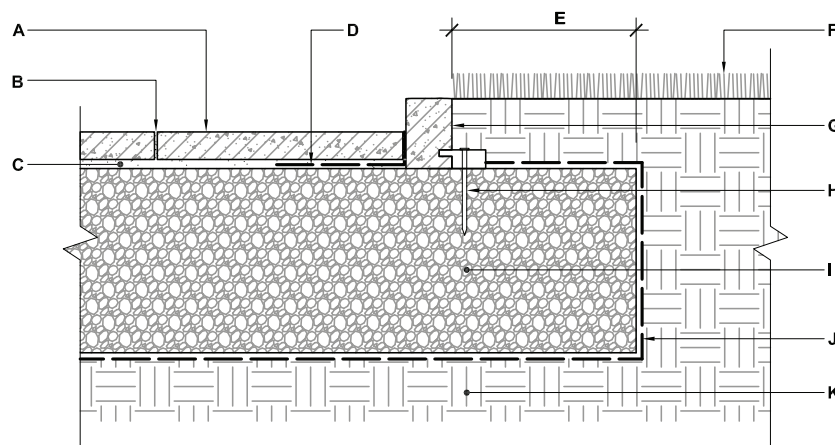
1. Data shown in this chart are provided as guidelines only. The range of values suggested depends particularly on existing soil conditions. The thicker the granular foundation, the greater the increase in stability of the whole structure.
2. In the case of unstable soils or ones particularly affected by the freeze-thaw cycles, a thicker foundation may be necessary. For soils with these conditions or for commercial, industrial, or institutional works, a geotechnical professional should be consulted.

QUANTITY CHART FOR JOINTS FILLING

Approximate surface coverage per 50 lbs (22.7 kg) polymeric sand bag.

SLABS	size	sq. ft	sq. m
Aberdeen	30×30	483	44.87
	30×20	388	36.05
	30×10	243	22.56
	20×20	324	30.07
	20×10	216	20.08
Blu 60 mm		90.2	8.37
Blu 60 mm (6"×13")		42.63	3.96
Blu Grande	60×495×825	118.49	11.01
Borealis	2.25×5×30	124.64	11.58
	2.25×10×30	233.03	21.65
Borealis Stepping Stone	Variable		
Dunes		29.4	2.7

SLABS	size	sq. ft	sq. m
Flagstone		49.5	4.6
Inca		108.3	10.06
Industria 600 series	600×600×60	204.13	18.96
Maya	Variable		
Ocean Grande		129.7	12.1
Para	500×250	223	20
	500×500	336	31
	500×750	405	37
Travertina Raw	30×30	483	44.87
	30×20	388	36.05
	20×20	324	30.07
	20×10	216	20.08



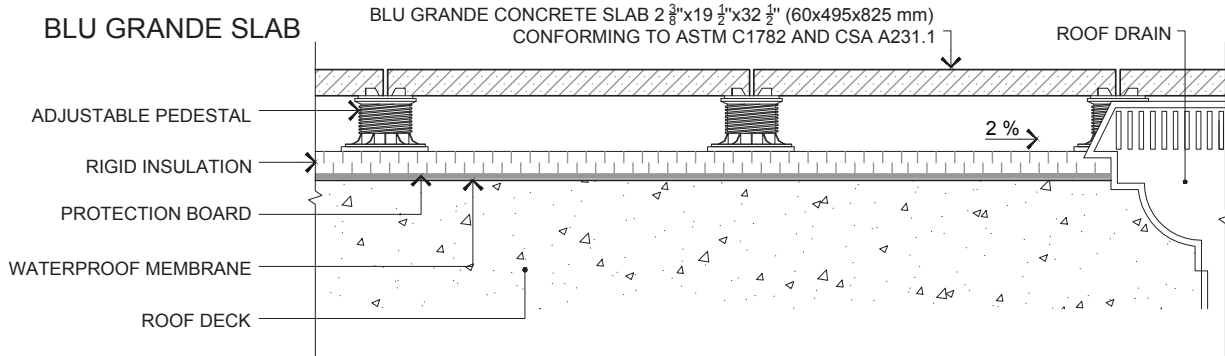
SLAB INSTALLATION
Typical cross section

- A. TECO-BLOC PRECAST CONCRETE SLAB 1 3/4" TO 2 3/8" (45 TO 60 mm)
- B. SAND JOINT FILL
- C. SAND SETTING BED (CONCRETE SAND) 1" (25 mm)
- D. GEOTEXTILE 12" (300 mm) WIDE
- E. EXTRA WIDTH EQUAL TO FOUNDATION THICKNESS
- F. LAWN
- G. EDGE RESTRAINT
- H. NAIL
- I. COMPACTED GRANULAR BASE 0-3/4" (0-20 mm)
- J. GEOTEXTILE
- K. SUBGRADE

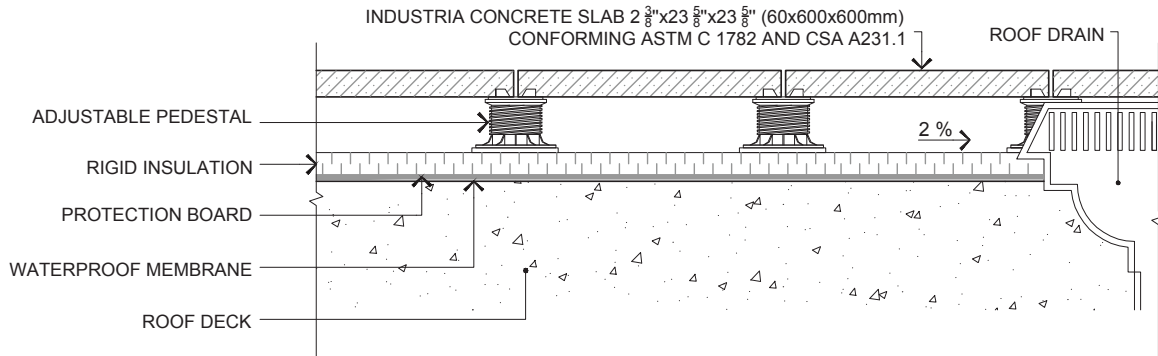
INSTALLATION GUIDE

SLABS ON PEDESTAL SET

BLU GRANDE SLAB



INDUSTRIA SLAB



PARA SLAB 500x750

